

F32T8/20LED/741

20W LED LINEAR T8

An LED F32 T8 for all locations where 4' fluorescent tubes are now used. The LED T8 uses only 20 watts and is powered by either a one- or two-lamp driver configuration, allowing for 1-6 LED tube configurations within a typical troffer. The LEDs last up to 50,000 hours based on L70 standards, and have on board cooling fins to extend the lumen life of the lamp. The driver installed inside the fixture body is not exposed to high operating temperatures, enabling longer driver life.

FEATURES:

- Lumens: 1550
- 20 watts
- 50,000 hour life at L70 standards
- Easy retrofit into most common linear fluorescent fixtures
- Simple ballast bypass
- High power factor: >.98
- Universal voltage: lamp may be used in 120v and 277v applications
- External driver promotes even heat dispersion from LEDs and prevents accelerated decay of LEDs (as seen in most retrofit T8 lamps with an internal driver)
- No RF interference
- No need to remove an existing starter
- Instant start
- Free of mercury and other hazardous materials

CONSTRUCTION:

Housing: Acrylic diffuser provides even distribution of light with less breakage than fluorescent tubes. Aluminum body transfers heat from LED chips and extends the useful light output of this lamp. Standard G13 pins assure a simple retrofitting process for installers.

PROJECT NAME	
CATALOG NUMBER	
NOTES	
FIXTURE TYPE	ROOM



Linear Lamp Ordering Information:

WATTS	ORDER CODE	MODEL NUMBER	LUMENS	LIFE (Hrs.)	Pack Type	Case Pack	CCT
20	71601	F32T8/20LED/741	1550	50,000	Box	25	4100

Driver Ordering Information:

ORDER CODE	MODEL NUMBER	DESCRIPTION	VOLTS
71606	MLEU201LED	DRIVER T8 LED 1X20W 110-277V NON-DIMMING	120-277V
71607	MLEU202LED	DRIVER T8 LED 2X20W 110-277V NON-DIMMING	120-277V

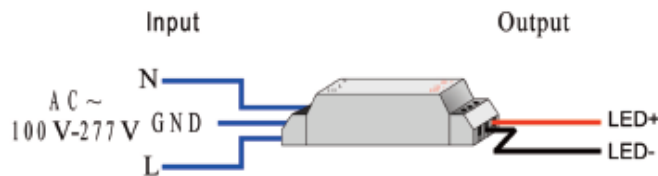
MAX 0123

F32T8/20LED/741

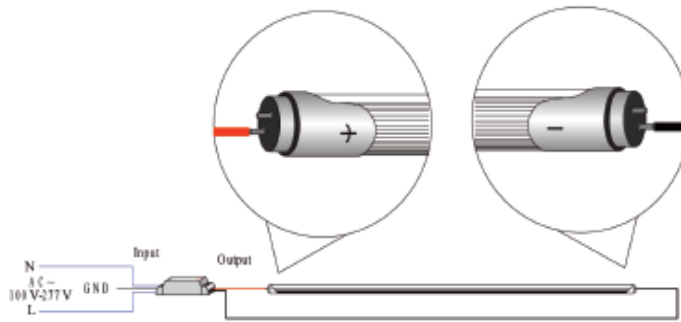
20W LED LINEAR T8

External T8 Tube Driver Installation Guide

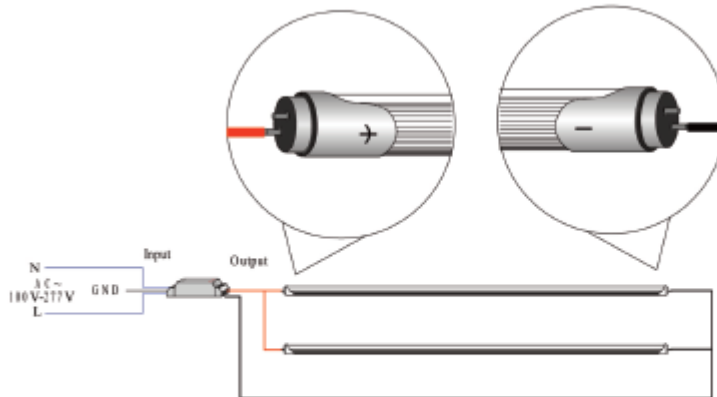
1. Please wire the driver and the tube as per below drawing. Driver's input connect to AC-L, AC-N, GND.
2. The driver's output part connects the "LED+" red wire, and "LED-" black wire to the socket ends marked "+" "-".
3. Please take care of the rating on the drivers' label:
 - the driver's output current "430mA" = one driver for one tube light, (MLEU201LED)
 - the driver's output current "860mA" = one driver for two tube light, (MLEU202LED)



Please notice the "+" and "-" when connecting to the tube.



ONE driver for ONE tube wiring Drawing (MLEU201LED)



ONE driver for TWO tube wiring Drawing (MLEU202LED)

