

6" LED COMMERCIAL RECESSED DOWNLIGHT RETROFITS

The commercial-grade LED Recessed Downlight Retrofit is supplied with a quick connect-case and conduit to make an easy connection to an existing recessed fixture frame junction box.

PROJECT NAME
CATALOG NUMBER
NOTES
FIXTURE TYPE

FEATURES:

- Universal voltage (120-277)
- Mounts into existing recessed frame
- Supplied with optional retaining clips if existing frame does not have adequate friction springs to secure reflector
- cETL listed for damp location use
- CRI: > 85
- PF: >.9
- A wide variety of CCTs available:
3000K and 4000K come standard
2700K and 5000K (contact MaxLife for quotations)
- Five year limited warranty
- Non-dimming only



CONSTRUCTION:

- Supplied with a heavy gauge anodized aluminum reflector in a haze finish
- External driver for easy retrofit and maintenance
- Power supply features integral thermal protection

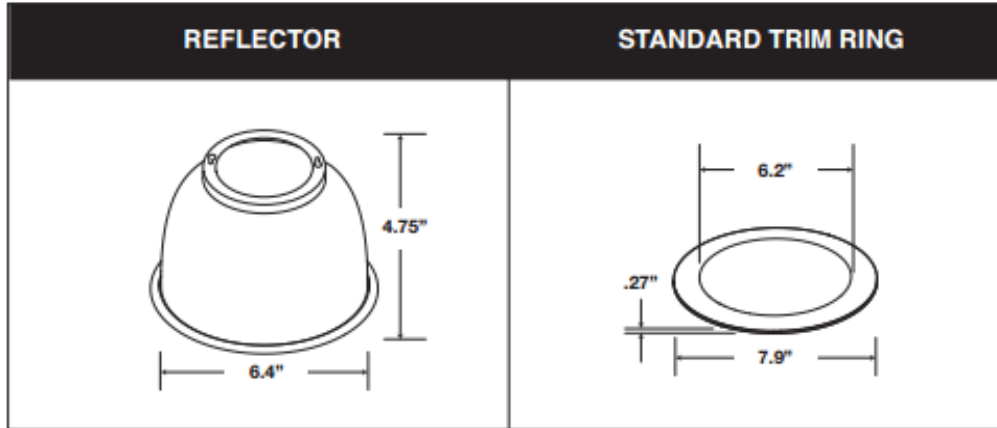
Luminaire Ordering Information:

Watts	Order Number	Model Number	Fluorescent Equivalent	Lumens	Lamp Life (Hrs.)	CCT
26	72607	RR62630W	2 X 18 PL	1500	50,000	3000
26	72608	RR62640W	2 X 18 PL	1645	50,000	4000
34	72609	RR63430W	2 X 26 PL	1950	50,000	3000
34	72610	RR63440W	2 X 26 PL	2145	50,000	4000

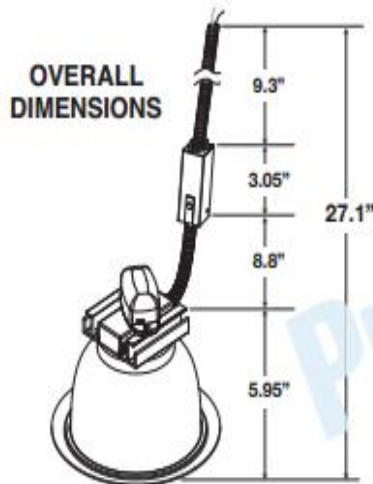
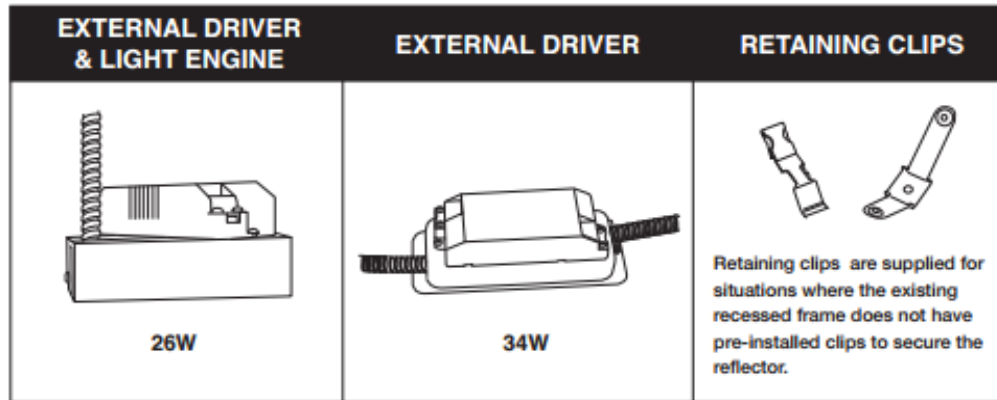
MAX13154



6" LED COMMERCIAL RECESSED DOWNLIGHT RETROFITS



PRODUCT FEATURES



Preliminary





Edificio Pabellón Tec
Ave. Eugenio Garza Sada 427 Ofcna. 38-26
Col. Alta Vista, Monterrey, N.L., CP. 68849